

Technical data sheet

Cover, T piece FS

Item number: 6038604



Cover for T piece fitting for lockable and screw-on cable trays in indoor areas, to protect cables against damage and soiling. Fastening with pre-mounted sash lock and through attachment of the section cover. Suitable for all side heights. The cover can be used with fittings of all side heights.



St Steel

FS Strip galvanized

Master data

Item number	6038604
Type	RTD 200 FS
Description 1	Cover
Description 2	for T piece
Manufacturer	OBO
Dimension	B200mm
Colour	zinc
Material	Steel
Surface	Strip galvanized
Surface standard	DIN EN 10346
Smallest sales unit	1
Unit of quantity	Piece
Weight	50 kg
Weight unit	kg/100 pc.
CO2 Footprint (GWP) Cradle-to-Gate	1,7587 kg CO2e / 1 Piece

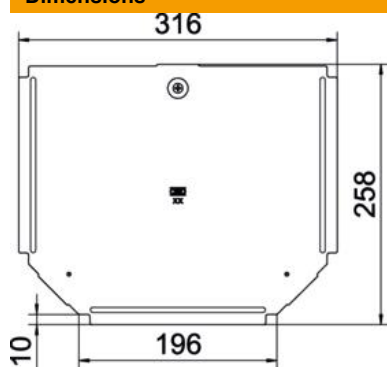
Technical data sheet

Cover, T piece FS

Item number: 6038604



Dimensions



Width	200 mm
Plate thickness	0.75 mm
Dimension B	200 mm

Technical data

Number of turn buckles	1 St.
Fastening type	Sash lock
Suitable for cable ladder	no
Suitable for cable tray	yes
Material thickness	0.75 mm
Rustproof steel, pickled	no
Permitted temperature range, max.	120 °C
Permitted temperature range, min.	-20 °C
Wide-span version	no