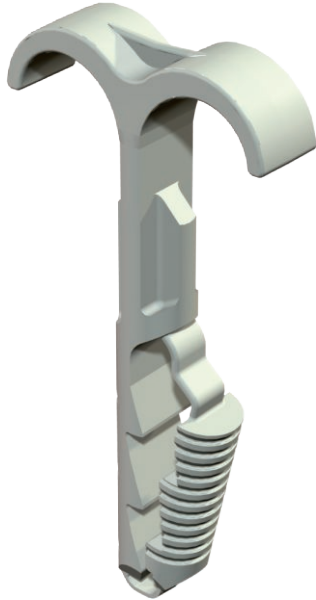


Technical data sheet

Double push-fit clip

Item no. 2197855



These push-fit clips are used when installing cables and pipes on walls and ceilings and when running flexible pipes on concrete and in the screed. The double push-fit clips can be used instead of nail clips in concrete and aerated concrete. The advantage of the push-fit clips is that they only have to be pushed into the drilled hole. Anchors and bolts are not needed.



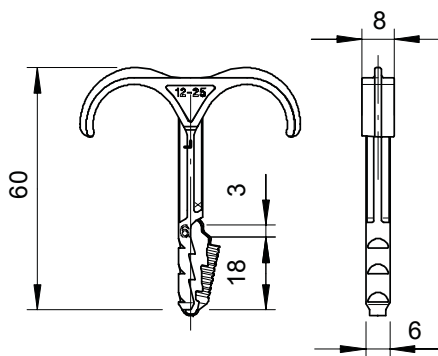
PA

PA Polyamide

Master data

Item no.	2197855
Type	1974 2X4-12
Description 1	Plug-in clip
Description 2	double
Dimension	4-12mm
Colour	Light grey
RAL number	7035
Material	Polyamide
Material symbol	PA
Smallest sales unit (VG)	100 Piece
Weight	0,13 kg/100 pc.

Technical data



Version	Two-lobe
Version	Two-lobe
Number of cables/pipes	2
Fastening type	Plug fastening
Fastening type	Plug fastening
Drill hole depth	40,00 mm
Drill hole diameter	6,00 mm
Breaking load for concrete B25	90 N
Halogen-free	<input checked="" type="checkbox"/>
Clamping range D	4,00 - 12,00 mm